

Campaign on Iwo Jima

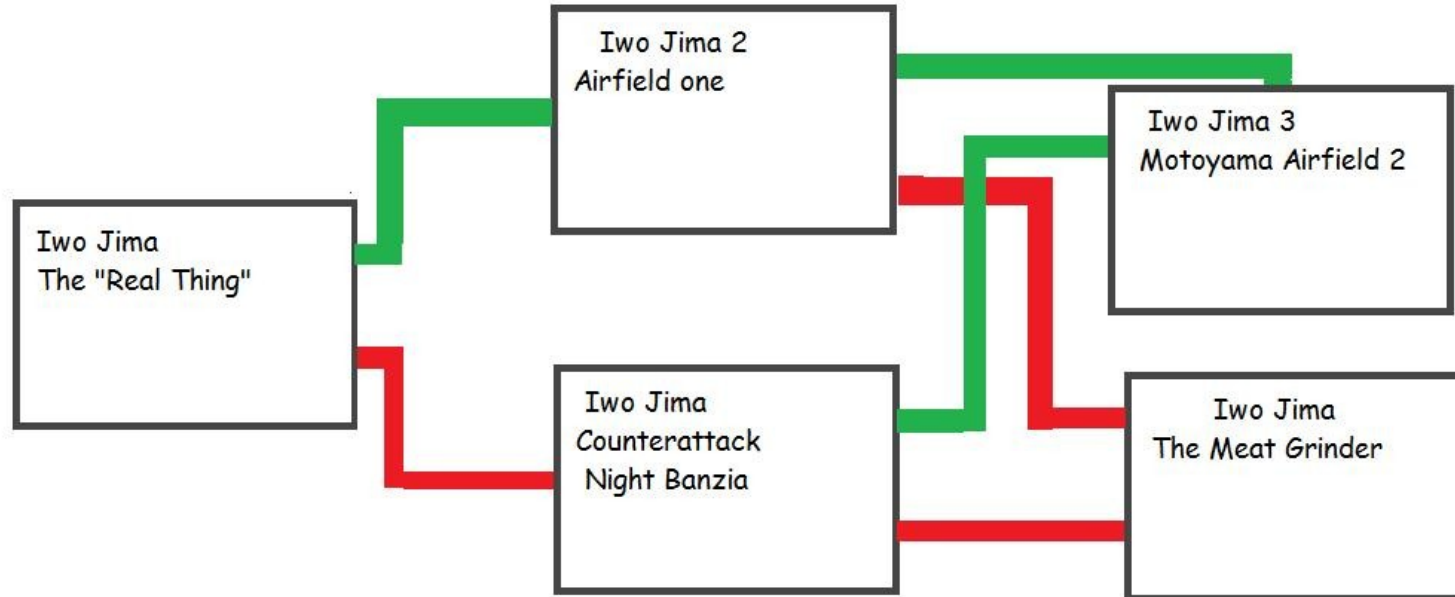
Iwo Jima the Campaign



The Battle of Iwo Jima (February 19-March 26, 1945), or Operation Detachment, was a battle in which the United States fought for and captured Iwo Jima (lit. Iwo Island) from Japan. The battle produced some of the fiercest fighting in the Pacific Campaign of World War II.

Campaign on Iwo Jima

American forces: Start with three reserve tokens (or two reserve and one air sortie tokens if playing with air pack). The order of Battle is as follows:



You must be aggressive and take the day! You may place smoke tokens any time (two times only) it is your turn during the meat grinder scenario.

Campaign on Iwo Jima

Special Reinforcement Rolls:

Star + Unit - one upgraded unit as follows:

Infantry - Engineering

Armor - Flame Tanks

Artillery - Mobile Artillery

Grenade - Any of the Above

(at one reserve token cost)

Star + Star

Upgrade one of your units already on the board as above

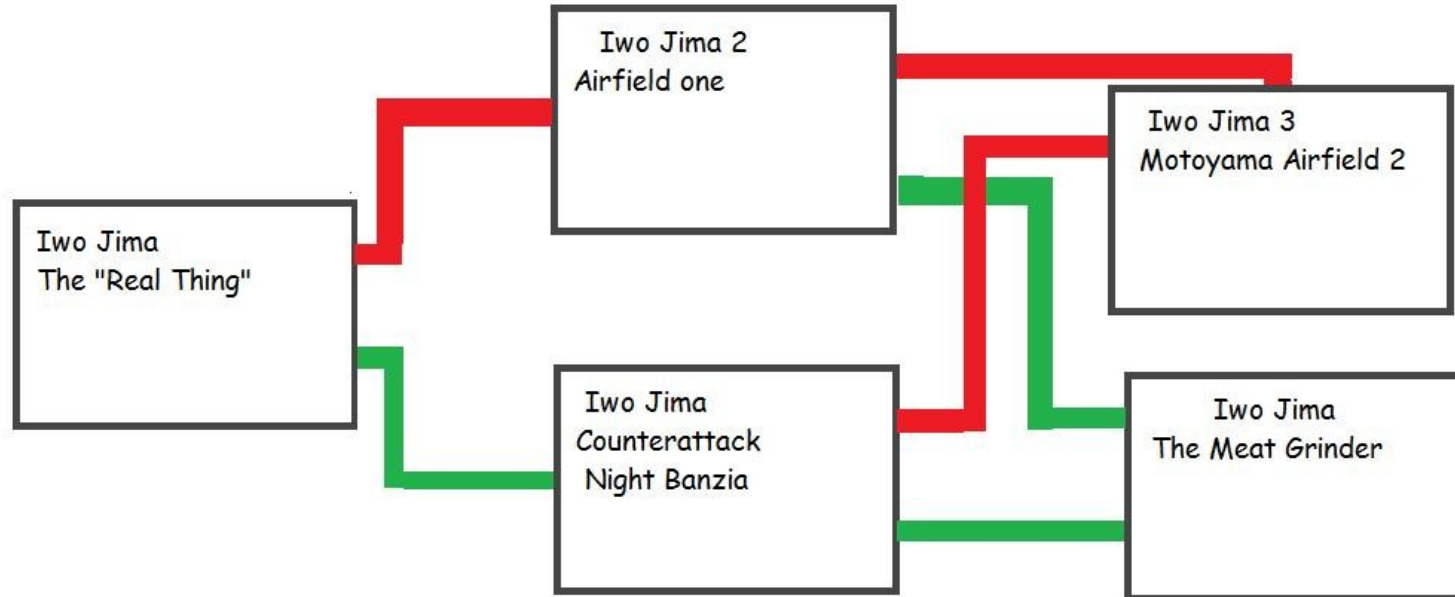
Flag + Star

Place one sandbag, one wire, or one hedgehog on the board at no reserve token cost.



Campaign on Iwo Jima

Japanese Forces: Start with one reserve token (or an air sortie token if playing with Air Pack)



You must attempt to keep the Americans on the beach, or give them more casualties than they cause you.

Campaign on Iwo Jima

Special Reinforcement Rolls:

Star + Unit - one upgraded unit as follows:

Infantry - Engineering

Armor - Elite Tanks

Artillery - Big Gun Artillery

Grenade - Any Unit Above

(at one reserve token cost)

Star + Star

Upgrade one of your units already on the board as above

Flag + Star

Place one sandbag, one wire, or one hedgehog on the board at no reserve token cost.



Campaign on Iwo Jima

The Scenarios:

Iwo Jima "the Real Thing" #3144 by 50th - The landing of the American troops on the island of Iwo Jima.

Iwo Jima Airfield #3172 by 50th- After the Marines came off the beach and took Mt Suribachi, they moved North and West and took this, the first of two airfields.

Iwo Jima Airfield Two #4042 by 50th- Continuing West, the Marines came to the second airfield and the city of Motoyama.

Iwo Jima Counterattack #6297 by 50th- On the night of March 25th, a 300 man Banzai charge came across the gorge at Motoyama to attack the Marines

Iwo Jima The Meat Grinder #55a by R Borg- the Marines find themselves against formidable natural defenses on the Western end of the island.

The above campaign uses the campaign rules from Campaign Book Volume One: Rules and Scenarios Information for the creation of the campaign and scenarios came from Wikipedia: Battle of Iwo Jima, Flags of Our Fathers, by James Bradly, the films Letters from Iwo Jima, and Iwo Jima- 36 days of Hell.

Feedback on this campaign would be appreciated.